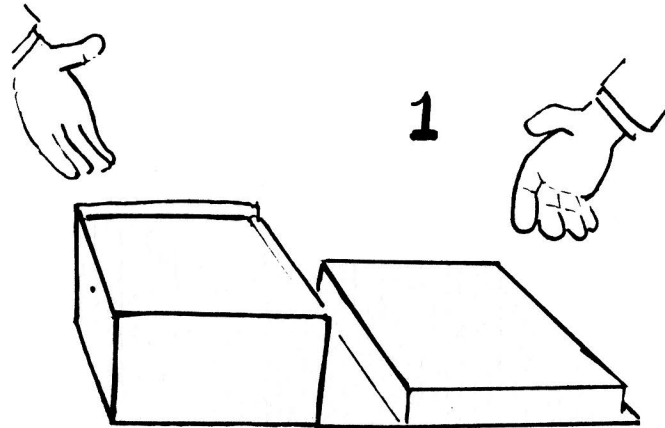


Please follow these instructions carefully

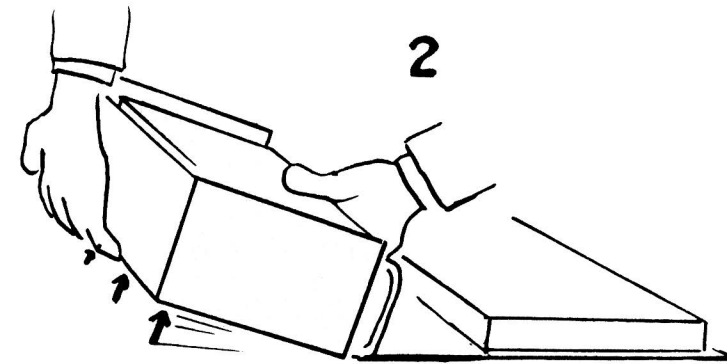
The facsimile is extremely heavy and should be handled with great care to avoid damage. Once you develop the method of opening it you will be able to enjoy it without fear of damaging it.

To remove the companion volume pull the narrow ribbon. When replacing, ensure that the ribbon remains outside its' box and on your left.

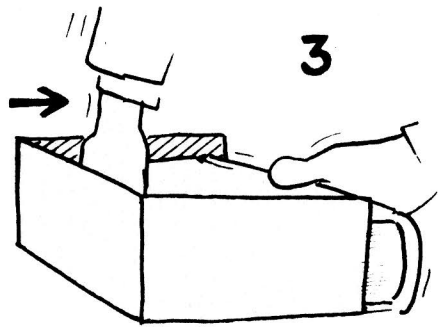
The Kennicott Bible is a Hebrew manuscript and opens from left to right.



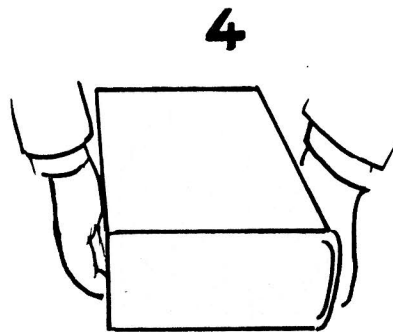
Open the portfolio box out flat



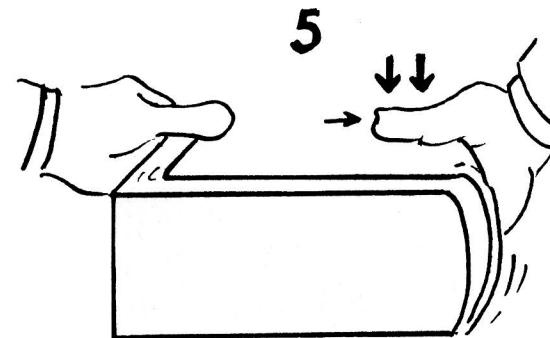
Lift up the side containing the facsimile to expose a gap



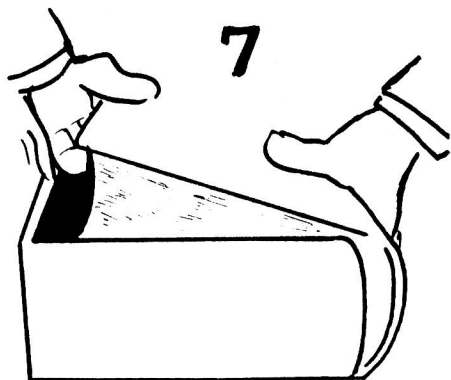
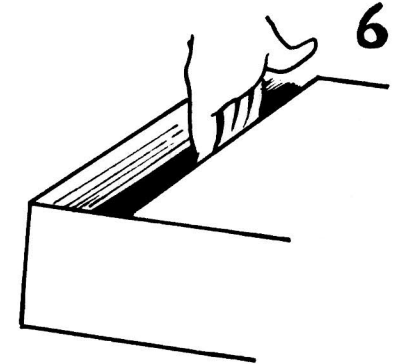
Slide the facsimile to the right



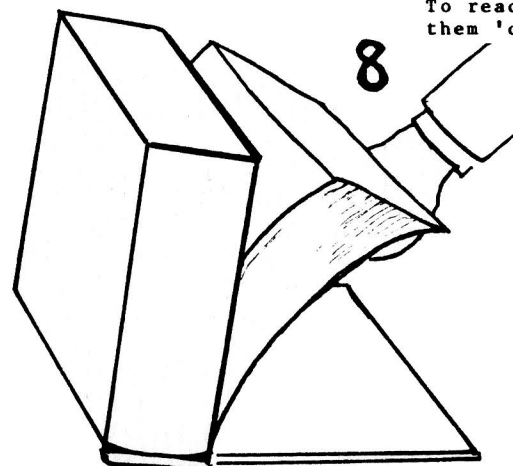
Gripping it firmly lift it out



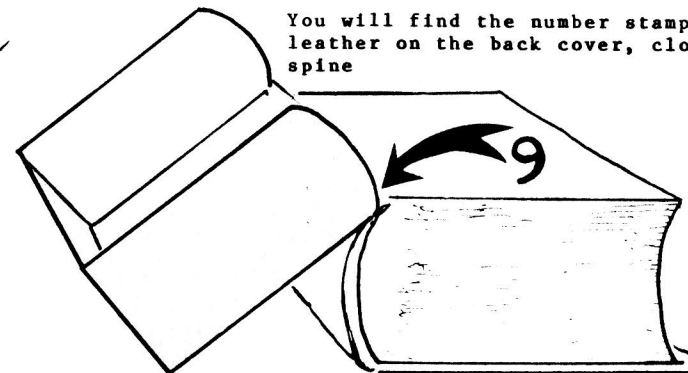
Apply pressure to the spine . . .



. . . and open the book



To reach the end pages it is easier to 'tip' them 'out' of the box



You will find the number stamped into the leather on the back cover, close to the spine



Facsimile Editions Limited
40 Hamilton Terrace
London NW8 9UJ
England
Tel: +44 20 7286 0071